

# CONVENTIONAL THERMAL DETECTOR MARINA SERIES

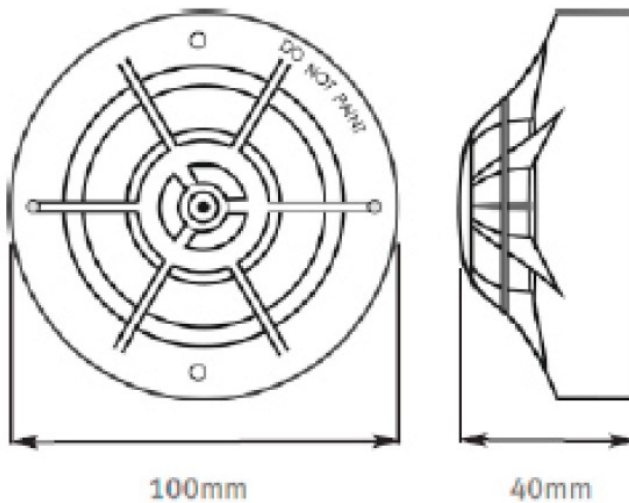
## AE/M-TH

### Description

Thermal Detector 60°C and 90°C Marine Certificate.  
 Double LED for 360° viewing.  
 Sleek, low-profile design.  
 Includes remote indicator output that is activated when the detector goes into alarm, with this output may activate secondary equipment as indicator pilots or relay bases.



### Dimensions



### Marine series socket AE/M-BH

Standard base for the marine detector range.  
 Free of electronics with stainless steel terminals.  
 Sleek, low-profile design.



#### TECHNICAL CHARACTERISTICS

Power (Voltage): 15 - 30V DC  
 Consumption in standby: 35uA  
 Consumption in alarm: 40mA  
 Degree of protection: IP63  
 Operating temperature: -25 ° C / + 70 ° C  
 Maximum humidity: 95% - No condensation  
 Certification: MED by Germanischer

#### CERTIFICATIONS

Certification: MED por Germanischer Lloyd (GL)  
 Certification number: 20 278 - 04 HH

